

B Kit gasket PN 247249 (*-58-60-74-78-106-125)
 B Kit guarnizioni PN 247249 (*-58-60-74-78-106-125)
 B Kit joint PN 247249 (*-58-60-74-78-106-125)
 B Kit dichtung PN 247249 (*-58-60-74-78-106-125)

| | | | | | | |
|---|----|---------------|---|-------|-------------------|---|
| C | 1 | 241235 | 1 | 77 | 236529 | 2 |
| | 2 | 240288 | 1 | A 78 | 227692 | 1 |
| | 3 | 240287 | 1 | C 79 | FIGURE 3 | |
| B | 4 | 240311 | 1 | 80 | 240328 | 2 |
| | 5 | 227349 | 1 | B 81 | 241238 | 1 |
| | 6 | 240326 | 1 | 82 | 240262 | 1 |
| | 7 | 227351 | 1 | 83 | 235248 | 2 |
| | 8 | 227352 | 1 | 84 | 229208 | 2 |
| | 9 | 240928 | 1 | 85 | 241239 | 2 |
| | 10 | 240929 | 1 | 87 | 241236 MAC | 1 |
| | 11 | 240690 | 1 | | 241250 CALIFORNIA | 1 |
| | 12 | 227521 | 1 | 88 | 240320 | 1 |
| | 13 | 229394 | 1 | 89 | 240321 | 1 |
| | 14 | 227524 | 1 | 90 | 236936 | 1 |
| | 15 | 235367 | 1 | 91 | 240272 | 1 |
| | 16 | 235811 | 1 | 93 | 240291 | 1 |
| | 17 | 240863 | 2 | 94 | 240297 | 2 |
| | 18 | 235500 | 2 | 95 | 236981 | 1 |
| | 19 | 227259 | 1 | 96 | 240299 | 1 |
| A | 21 | 235217 | 2 | 97 | 236997 M5x30 | 1 |
| C | 22 | 240339 | 1 | 98 | 227626 | 2 |
| C | 23 | 240301 | 1 | 99 | 227567 M5x70 | 2 |
| C | 24 | 240302 | 1 | C 101 | 240873 | 1 |
| | 25 | 240303 | 1 | 102 | 247757 | 1 |
| C | 26 | 240367 | 1 | 103 | 235899 | 1 |
| | 27 | 240862 | 5 | C 104 | 228872 | 1 |
| | 28 | 229524 | 1 | 105 | 235900 | 1 |
| C | 29 | 240859 | 1 | 106 | 240312 | 1 |
| | 30 | 227259 | 1 | 107 | 241255 | 1 |
| | 31 | 240845 M5x16 | 1 | C 108 | 235742 | 1 |
| C | 32 | 247259 | 1 | C 109 | 227631 | 1 |
| | 33 | 240315 | 2 | 110 | 235672 | 1 |
| | 34 | 235248 | 2 | 111 | 247758 | 1 |
| | 35 | 235802 M5x14 | 2 | 112 | 241253 | 1 |
| C | 36 | 240370 | 1 | C 113 | 228872 | 1 |
| | 37 | 240281 | 1 | 114 | 240348 | 2 |
| B | 38 | 241231 | 1 | 116 | 235735 | 1 |
| B | 39 | 240285 | 1 | 117 | 227259 | 1 |
| | 40 | 240354 | 1 | 118 | 235806 M5x20 | 1 |
| | 41 | 235248 | 1 | A 119 | 240317 | 1 |
| | 42 | 235802 M5x14 | 1 | 120 | 235642 | 1 |
| | 43 | 235248 | 1 | 121 | 240205 | 1 |
| | 44 | 235803 M5x25 | 1 | 122 | 240318 M5x65 | 1 |
| | 45 | 227259 | 1 | 123 | 235642 | 1 |
| | 46 | 235802 M5x14 | 1 | 124 | 240310 | 1 |
| C | 47 | 240336 | 1 | 125 | 240333 | 1 |
| | 48 | 240316 M5x35 | 1 | 126 | 240309 | 1 |
| | 49 | 240921 | 1 | 127 | 240363 | 1 |
| | 50 | 229208 | 1 | B 128 | 240286 | 1 |
| | 51 | 240884 | 1 | 130 | 241227 | 1 |
| B | 52 | 235372 | 1 | 132 | 240920 | 1 |
| A | 53 | 235042 | 1 | 133 | 240300 | 1 |
| B | 54 | 235040 | 1 | B 134 | 240868 | 1 |
| | 55 | 235248 | 3 | C 135 | 235675 | 1 |
| | 56 | 236997 M5x30 | 3 | A 136 | 240452 | 1 |
| B | 57 | 235552 | 1 | C 137 | 227582 | 1 |
| C | 58 | 235511 | 1 | 138 | 229716 | 1 |
| B | 59 | 241234 | 1 | 139 | 241099 | 1 |
| C | 60 | 235510 | 1 | B 141 | 240260 3/8" | 1 |
| | 61 | 247290 | 1 | 142 | 240323 | 1 |
| | 62 | 240358 | 3 | 143 | 241275 | 1 |
| | 63 | 235218 | 1 | 144 | 241285 | 1 |
| | 64 | 241204 | 1 | 145 | 229250 M5x8 | 2 |
| B | 65 | 235516 | 2 | 146 | 236997 M5x30 | 4 |
| B | 66 | 235517 | 2 | B 147 | 241100 | 1 |
| B | 67 | 235518 | 2 | C 148 | 228854 | 1 |
| C | 68 | 241229 DUCATI | 1 | 149 | 240308 | 1 |
| C | | 241291 SEM | 1 | 150 | 240874 | 1 |
| | 69 | 235806 M5x20 | 2 | C 151 | 300870 | 1 |
| C | 70 | FIGURE 2 | 2 | 152 | 241272 | 1 |
| | 71 | 227565 M5x25 | 4 | C 153 | 241274 | 1 |
| | 72 | 236934 | 1 | B 154 | 240926 | 3 |
| A | 73 | 92879 | 1 | 155 | 227359 | 3 |
| B | 74 | 240345 | 1 | 156 | 241273 | 1 |
| | 75 | 240271 | 1 | 157 | 235248 | 1 |
| | 76 | 236997 M5x30 | 2 | 158 | 228139 | 1 |
| | | | | 159 | 241162 | 1 |

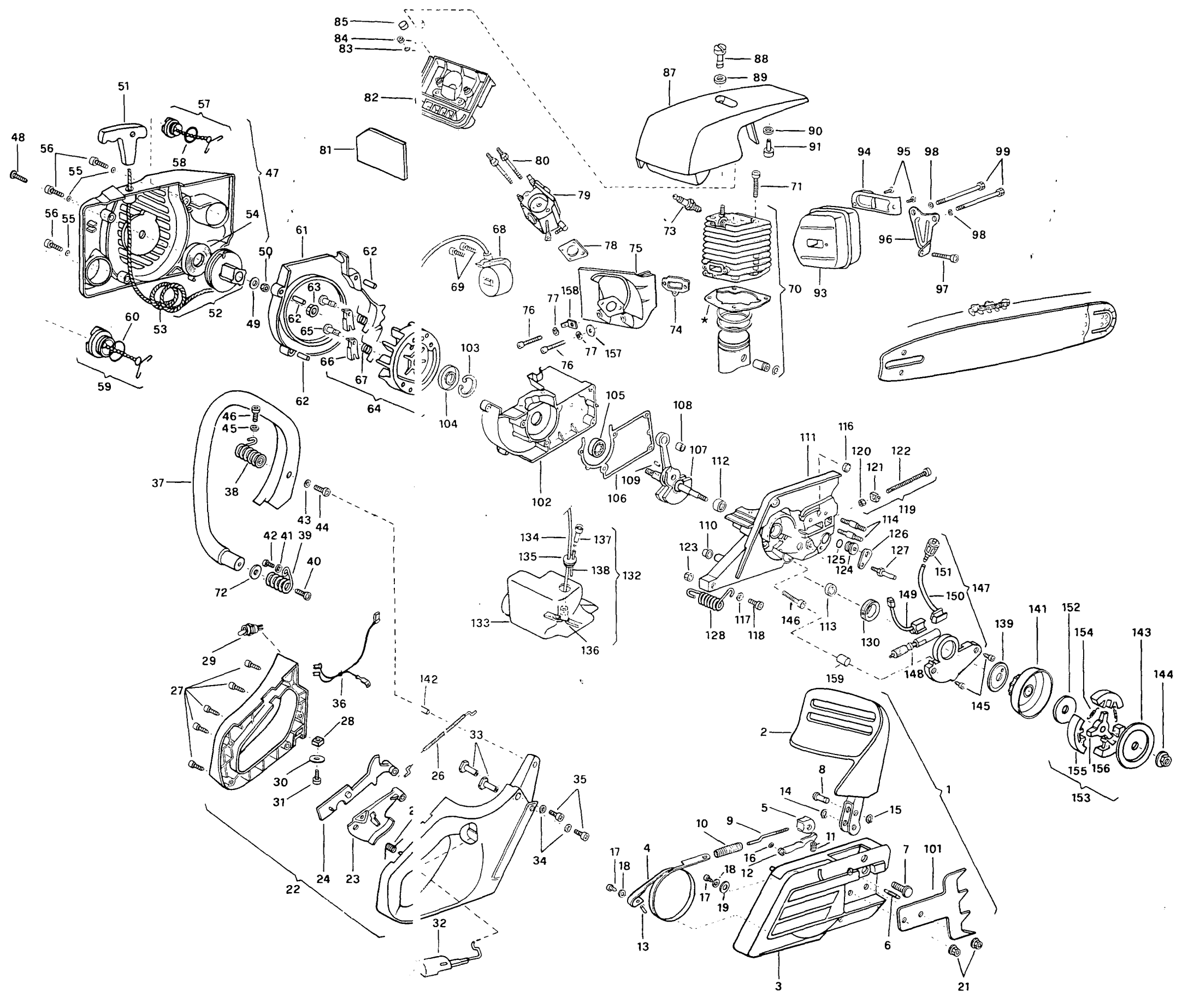


FIGURE 1

A = high moving - alta rotazione - haute demande - große Nachfrage
 B = medium moving - media rotazione - moyenne demande - mittelmäßige Nachfrage
 C = slow moving - bassa rotazione - basse demande - wenige Nachfrage

| | | | | | | | | | | | | | | | | | | | | | | | | | | | |
|--------------|--|--|--------|--------|--------|--------|---|---|---|--------|--------|---|---|---|--------|--------|---|---|----|--------|--------|---|---|----|--------|--------|---|
| | 38 cc | <table border="0"> <tr><td>C</td><td>1</td><td></td><td>247253</td><td>1</td></tr> <tr><td>B</td><td>2</td><td>•</td><td>240343</td><td>1</td></tr> <tr><td>C</td><td>3</td><td>•</td><td>247256</td><td>1</td></tr> <tr><td></td><td>4</td><td>••</td><td>235008</td><td>2</td></tr> <tr><td>B</td><td>5</td><td>••</td><td>240005</td><td>2</td></tr> </table> | C | 1 | | 247253 | 1 | B | 2 | • | 240343 | 1 | C | 3 | • | 247256 | 1 | | 4 | •• | 235008 | 2 | B | 5 | •• | 240005 | 2 |
| | C | 1 | | 247253 | 1 | | | | | | | | | | | | | | | | | | | | | | |
| B | 2 | • | 240343 | 1 | | | | | | | | | | | | | | | | | | | | | | | |
| C | 3 | • | 247256 | 1 | | | | | | | | | | | | | | | | | | | | | | | |
| | 4 | •• | 235008 | 2 | | | | | | | | | | | | | | | | | | | | | | | |
| B | 5 | •• | 240005 | 2 | | | | | | | | | | | | | | | | | | | | | | | |
| 40 cc | <table border="0"> <tr><td>C</td><td>1</td><td></td><td>247254</td><td>1</td></tr> <tr><td>B</td><td>2</td><td>•</td><td>240343</td><td>1</td></tr> <tr><td>C</td><td>3</td><td>•</td><td>247257</td><td>1</td></tr> <tr><td></td><td>4</td><td>••</td><td>235008</td><td>2</td></tr> <tr><td>B</td><td>5</td><td>••</td><td>240085</td><td>2</td></tr> </table> | C | 1 | | 247254 | 1 | B | 2 | • | 240343 | 1 | C | 3 | • | 247257 | 1 | | 4 | •• | 235008 | 2 | B | 5 | •• | 240085 | 2 | |
| C | 1 | | 247254 | 1 | | | | | | | | | | | | | | | | | | | | | | | |
| B | 2 | • | 240343 | 1 | | | | | | | | | | | | | | | | | | | | | | | |
| C | 3 | • | 247257 | 1 | | | | | | | | | | | | | | | | | | | | | | | |
| | 4 | •• | 235008 | 2 | | | | | | | | | | | | | | | | | | | | | | | |
| B | 5 | •• | 240085 | 2 | | | | | | | | | | | | | | | | | | | | | | | |

FIGURE 2

| | | | | |
|----------------------|---|----|---------------|---------|
| WALBRO WT 414 | | | | |
| | | | | |
| C | - | | 240350 | carbur. |
| B | 1 | • | 247260 | 1 |
| A | 2 | •• | 229191 | 1 |
| | 3 | • | 247261 | 1 |
| | 4 | • | 237481 | 1 |
| | 5 | • | 247388 | H 1 |
| | 6 | • | 246540 | L 1 |
| | 7 | • | 229601 | 2 |
| C | 8 | • | 247387 | 1 |

FIGURE 3

A = high moving - alta rotazione - haute demande - große Nachfrage
 B = medium moving - media rotazione - moyenne demande - mittelmäßige Nachfrage
 C = slow moving - bassa rotazione - basse demande - wenige Nachfrage